



VARIO LED HIGH BAY LIGHT



Optimal Optical Design

The simply but smartly designed diffuser gives an even distribution of light vertically and horizontally. Being able to choose lampshades allows a choice of beam angle, and an all around gives a rich light.



Multiple Angles

Depending on the application, a choice of lampshades gives you the option to choose the one to best fit your environment, from the right beam angle to the right aesthetic.

IP65

High Durability

A robust, protective design gives this luminaire an IP of 65 and IK of 09, and the ability to handle harsh environments.



Complies with Multinational Certifications

Approved by authorized national laboratories for UL (USA and Canada), CE (Europe) and RCM (Australia).



Energy Saving

The combination of high-efficacy LED components with excellent whole system design has SONARAY LED lighting achieving energy savings of 40% - 80% compared with traditional lighting sources.



Quality Core Component

Excellent luminaire design to the core: starting with the LED packages themselves. These luminaires only use high quality COB packages from CITELED – chipsets that have great quality and long life as backed by LM-80 and TM-21 reports. Quality inside the luminaires that shines on the outside.

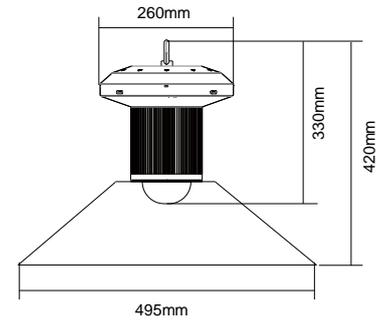
SONARAY®

VARIO LED HIGH BAY LIGHT 100W



Specifications

Material: Aluminum
 Light Engine Color: Black (optional: silver)
 Driver: Built-in
 Input Voltage: AC100-240/277V ~ 50/60Hz
 Power Factor: ≥ 0.9
 Operating Temperature: -25°C ~ $+45^{\circ}\text{C}$, -13°F ~ $+113^{\circ}\text{F}$
 Lifetime: $\geq 40,000$ hrs



Light Engine



Specifications for matching Empire-shaped Lampshade

Model No.	Power	Luminous Flux	Luminous Efficacy	Color Temperature	CRI	Beam Angle	Light Engine Weight
	(W)	(lm)	(lm/W)	(K)	(Ra)	($^{\circ}$)	(kg/lb)
HB-2100A	100	12000	120	5000	≥ 65	75	4.2/9.26

Other optional accessories:



Diffuser + Clips (For empire-shaped lampshade 90°)
 Weight: 0.47kg/1.04lb



Diffuser + Cover Ring (For empire-shaped lampshade 90°)
 Weight: 0.85kg/1.87lb



Empire-shaped Lampshade ($\varnothing 495\text{mm} \times 140\text{mm}$ 75°)
 Weight: 0.6kg/ 1.32lb

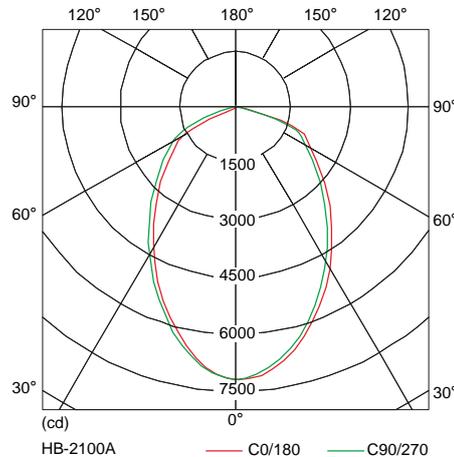


Bell-shaped lampshade - big ($\varnothing 420\text{mm} \times 255\text{mm}$ 60°)
 Weight: 0.7kg/ 1.54lb



Clear lampshade - big ($\varnothing 410\text{mm} \times 255\text{mm}$ 70°)
 Weight: 0.8kg/ 1.76lb

Light Distribution Curve for matching Empire-shaped Lampshade



Illuminance Distribution for matching Empire-shaped Lampshade

HB-2100A	H(m)	E(lx)	D(cm)
1		7461	151
2		1865	302
3		829	454
4		466	605
5		298	757
6		207	908
7		152	1060
8		117	1211
9		92	1362
10		75	1514
11		62	1665
12		52	1816
13		44	1968
14		38	2119
15		33	2271

Order Direction for Lamp engine

Specifications	Luminous Efficacy	Color Temperature	CRI	Order No.
Max Bright	120Lm/w	5000K	Ra 65	UL: HB-2100A-114
				CE/RCM: HB-2100A-118
Energy Saver	110Lm/w	5000K	Ra 65	CE/RCM: HB-2100A-116
True Color	88Lm/w	5000K	Ra 80	UL: HB-2100A-113
				CE/RCM: HB-2100A-115

Order Direction for Lampshade

Accessories	Order No.
Empire-shaped lampshade	HB-2000A-A
Diffuser + Clips	HB-2000A-G
Diffuser + Cover Ring	HB-2000A-X
Bell-shaped lampshade-big	HB-2000A-C
Clear lampshade-big	HB-2000A-F

www.sonarayled.com

© 2014 DASCOM (HOLDINGS) .LTD. All rights reserved.

All company and product names are trademarks or registered trademarks of their respective owner. Specifications are subject to change without notice.

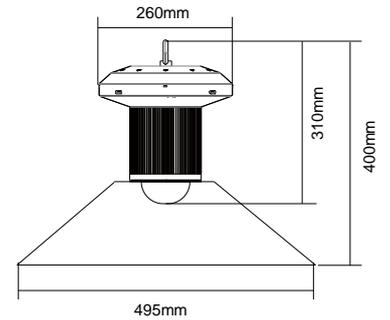
Version 1.3. Edited 2015.06

VARIO LED HIGH BAY LIGHT 85W



Specifications

Material: Aluminum
 Light Engine Color: Black (optional: silver)
 Driver: Built-in
 Input Voltage: AC100-240/277V ~ 50/60Hz
 Power Factor: ≥ 0.9
 Operating Temperature: -25°C~+45°C, -13°F~+113°F
 Lifetime: ≥ 40,000hrs



Light Engine



Specifications for matching Empire-shaped Lampshade

Model No.	Power (W)	Luminous Flux (lm)	Luminous Efficacy (lm/W)	Color Temperature (K)	CRI (Ra)	Beam Angle (°)	Light Engine Weight (kg/lb)
HB-2085A	85	10625	125	5000	≥65	75	3.8/8.38

Other optional accessories:



Diffuser + Clips (For empire-shaped lampshade 90°)
 Weight: 0.47kg/1.04lb



Diffuser + Cover Ring (For empire-shaped lampshade 90°)
 Weight: 0.85kg/1.87lb



Empire-shaped Lampshade (Ø495mm*140mm 75°)
 Weight: 0.6kg/ 1.32lb

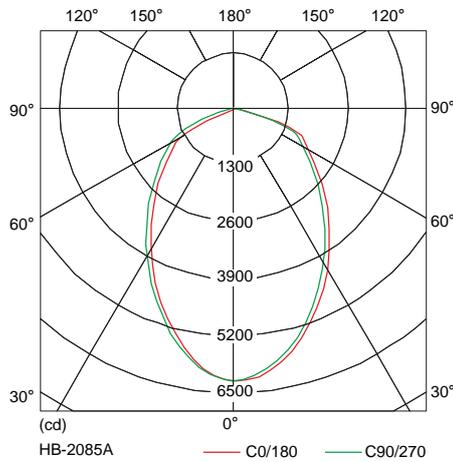


Bell-shaped lampshade - big (Ø420mm*255mm 60°)
 Weight: 0.7kg/ 1.54lb



Clear lampshade - big (Ø410mm*255mm 70°)
 Weight: 0.8kg/ 1.76lb

Light Distribution Curve for matching Empire-shaped Lampshade



Illuminance Distribution for matching Empire-shaped Lampshade

HB-2085A	E(x)	D(cm)
1	6331	150
2	1583	301
3	703	452
4	396	602
5	253	753
6	176	903
7	129	1054
8	99	1204
9	78	1355
10	63	1506
11	52	1656
12	44	1807
13	37	1958
14	32	2108
15	28	2259

H(m) E(x) D(cm)

Order Direction for Lamp engine

Specifications	Luminous Efficacy	Color Temperature	CRI	Order No.
Max Bright	125Lm/w	5000K	Ra 65	UL: HB-2085A-113
				CE/RCM: HB-2085A-116
Energy Saver	110Lm/w	5000K	Ra 65	CE/RCM: HB-2085A-114
True Color	88Lm/w	5000K	Ra 80	UL: HB-2085A-112
				CE/RCM: HB-2085A-115

Order Direction for Lampshade

Accessories	Order No.
Empire-shaped lampshade	HB-2000A-A
Diffuser + Clips	HB-2000A-G
Diffuser + Cover Ring	HB-2000A-X
Bell-shaped lampshade-big	HB-2000A-C
Clear lampshade-big	HB-2000A-F

www.sonarayled.com

© 2014 DASCOM (HOLDINGS) .LTD. All rights reserved.

All company and product names are trademarks or registered trademarks of their respective owner. Specifications are subject to change without notice.

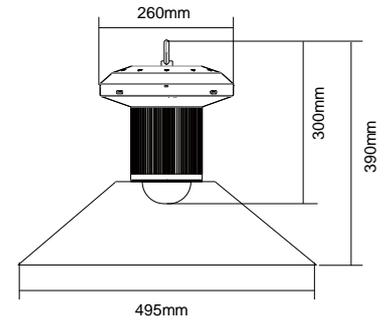
Version 1.3. Edited 2015.06

VARIO LED HIGH BAY LIGHT 65W



Specifications

Material: Aluminum
 Light Engine Color: Black (optional: silver)
 Driver: Built-in
 Input Voltage: AC100-240/277V ~ 50/60Hz
 Power Factor: ≥ 0.9
 Operating Temperature: -25°C~+45°C, -13°F~+113°F
 Lifetime: ≥ 40,000hrs



Light Engine



Specifications for matching Empire-shaped Lampshade

Model No.	Power (W)	Luminous Flux (lm)	Luminous Efficacy (lm/W)	Color Temperature (K)	CRI (Ra)	Beam Angle (°)	Light Engine Weight (kg/lb)
HB-2065A	65	6500	100	5000	≥65	75	3/6.61

Other optional accessories:



Diffuser + Clips (For empire-shaped lampshade 90°)
 Weight: 0.47kg/1.04lb



Diffuser + Cover Ring (For empire-shaped lampshade 90°)
 Weight: 0.85kg/1.87lb



Empire-shaped Lampshade (Ø495mm*140mm 75°)
 Weight: 0.6kg/ 1.32lb

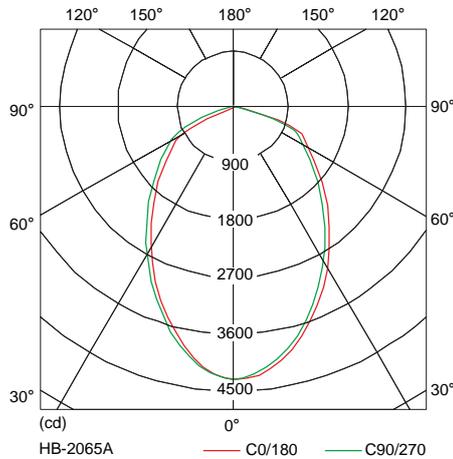


Bell-shaped lampshade - big (Ø420mm*255mm 60°)
 Weight: 0.7kg/ 1.54lb



Clear lampshade - small Only apply to CE/RCM version (Ø350mm*190mm 55°)
 Weight: 0.5kg/ 1.1lb

Light Distribution Curve for matching Empire-shaped Lampshade



Illuminance Distribution for matching Empire-shaped Lampshade

HB-2065A	H(m)	E(lx)	D(cm)
1	1	4101	138
2	2	1025	276
3	3	456	414
4	4	256	552
5	5	164	690
6	6	114	828
7	7	84	966
8	8	64	1104
9	9	51	1242
10	10	41	1380
11	11	34	1518
12	12	28	1657
13	13	24	1795
14	14	21	1933
15	15	18	2071

Order Direction for Lamp engine

Specifications	Luminous Efficacy	Color Temperature	CRI	Order No.
Max Bright	100Lm/w	5000K	Ra 65	UL: HB-2065A-112
				CE/RCM: HB-2065A-114
True Color	82Lm/w	5000K	Ra 80	UL: HB-2065A-111
				CE/RCM: HB-2065A-113

Order Direction for Lampshade

Accessories	Order No.
Empire-shaped lampshade	UL: HB-2000A-A
	CE/RCM: HB-2000A-B
Diffuser + Clips	HB-2000A-G
Diffuser + Cover Ring	HB-2000A-X
Bell-shaped lampshade-big	UL: HB-2000A-C
	CE/RCM: HB-2001A-D
Clear lampshade-small	CE/RCM: HB-2000A-E

www.sonarayled.com

© 2014 DASCOM (HOLDINGS) .LTD. All rights reserved.

All company and product names are trademarks or registered trademarks of their respective owner. Specifications are subject to change without notice.

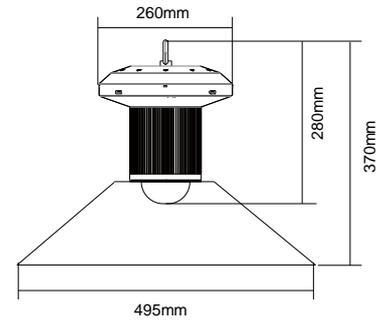
Version 1.3. Edited 2015.06

VARIO LED HIGH BAY LIGHT 45W



Specifications

Material: Aluminum
 Light Engine Color: Black (optional: silver)
 Driver: Built-in
 Input Voltage: AC100-240/277V ~ 50/60Hz
 Power Factor: ≥ 0.9
 Operating Temperature: -25°C~+45°C, -13°F~+113°F
 Lifetime: ≥ 40,000hrs



Light Engine



Specifications for matching Empire-shaped Lampshade

Model No.	Power (W)	Luminous Flux (lm)	Luminous Efficacy (lm/W)	Color Temperature (K)	CRI (Ra)	Beam Angle (°)	Light Engine Weight (kg/lb)
HB-2045A	45	4635	103	5000	≥65	75	2.7/5.95

Other optional accessories:



Diffuser + Clips (For empire-shaped lampshade 90°)
 Weight: 0.47kg/1.04lb



Diffuser + Cover Ring (For empire-shaped lampshade 90°)
 Weight: 0.85kg/1.87lb



Empire-shaped Lampshade (Ø495mm*140mm 75°)
 Weight: 0.6kg/ 1.32lb

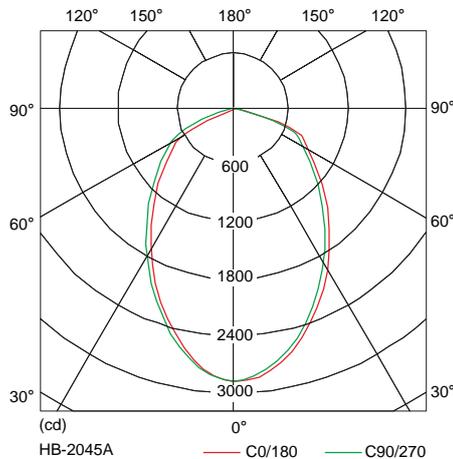


Bell-shaped lampshade – big (Ø420mm*255mm 60°)
 Weight: 0.7kg/ 1.54lb



Clear lampshade – small Only apply to CE/RCM version (Ø350mm*190mm 55°)
 Weight: 0.5kg/ 1.1lb

Light Distribution Curve for matching Empire-shaped Lampshade



Illuminance Distribution for matching Empire-shaped Lampshade

HB-2045A	H(m)	E(lx)	D(cm)
1	2871	138	
2	718	275	
3	319	413	
4	179	551	
5	115	689	
6	80	827	
7	59	965	
8	45	1103	
9	35	1240	
10	29	1378	
11	23	1516	
12	20	1654	
13	17	1792	
14	15	1930	
15	13	2068	

Order Direction for Lamp engine

Specifications	Luminous Efficacy	Color Temperature	CRI	Order No.
Max Bright	115Lm/w	5000K	Ra 65	UL: HB-2045A-112
				CE/RCM: HB-2045A-114
True Color	84Lm/w	5000K	Ra80	UL: HB-2045A-111
				CE/RCM: HB-2045A-113

Order Direction for Lampshade

Accessories	Order No.
Empire-shaped lampshade	UL: HB-2000A-A
	CE/RCM: HB-2000A-B
Diffuser + Clips	HB-2000A-G
Diffuser + Cover Ring	HB-2000A-X
Bell-shaped lampshade-big	UL: HB-2000A-C
	CE/RCM: HB-2001A-D
Clear lampshade-small	CE/RCM: HB-2000A-E

www.sonarayled.com

© 2014 DASCOM (HOLDINGS) .LTD. All rights reserved.

All company and product names are trademarks or registered trademarks of their respective owner. Specifications are subject to change without notice.

Version 1.3. Edited 2015.06