



DASCOM LED LIGHTING SOLUTIONS

## **LED High Bay Light 2000 Series ( Empire-shaped Lampshade )**

High Ceiling Application: Factories, Warehouse, Railway station, Gym, Supermarket

**SONARAY**

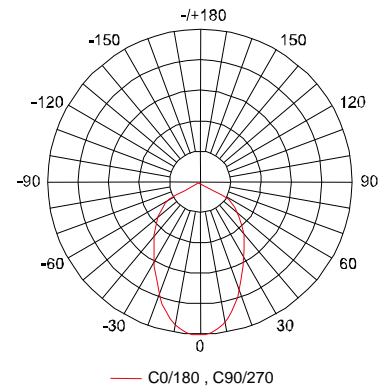
**LED High Bay Light**



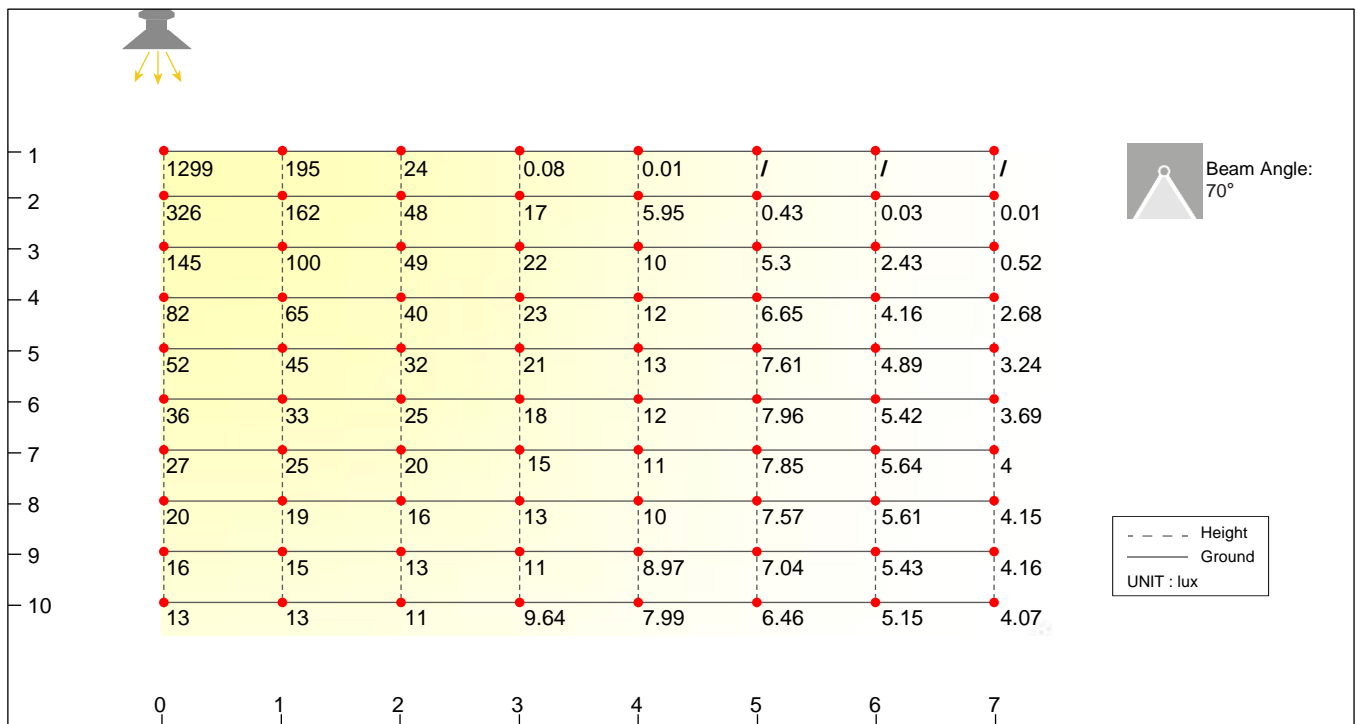
**HB-B-2025**

CE CCC RoSH IP20

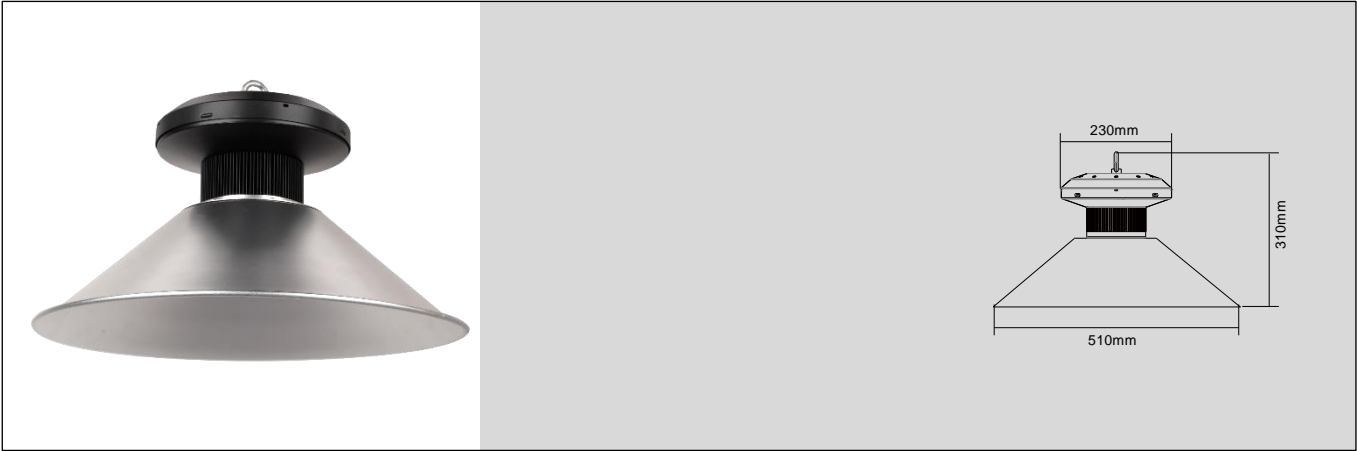
- Power: 25W
- Luminous Flux: 2398lm
- Luminous Efficacy: 96lm/w
- Color Temperature: 5000K
- CRI: ≥80
- Beam Angle: 70°
- Material: Aluminum
- Power Supply: Built-in
- Input Voltage: AC100-240V,50/60Hz
- Power Factor: ≥0.9
- Weight: 3.1kg
- Operation Temperature: -20°C ~ +40°C
- Design Lifespan: ≥60000hrs



**Illuminance Distribution**



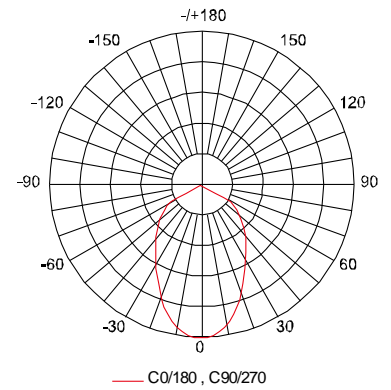
**LED High Bay Light**



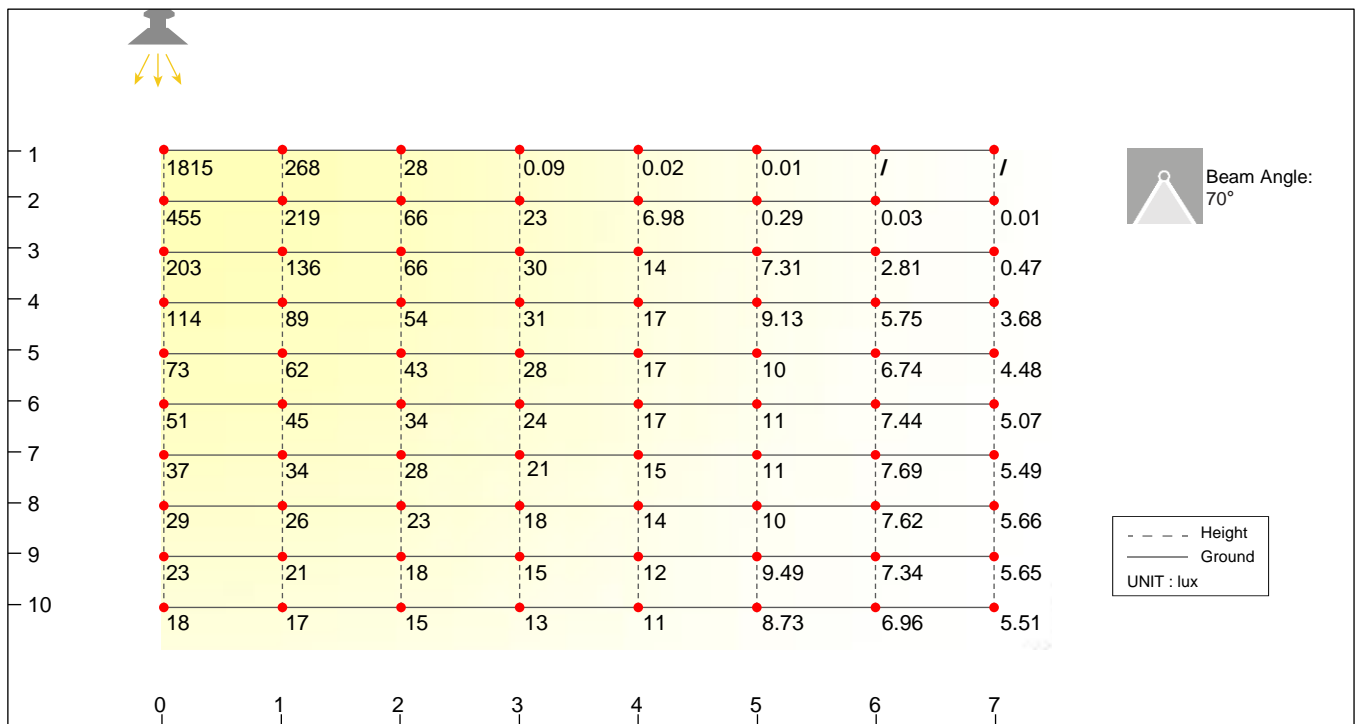
**HB-B-2035**

CE CCC RoSH IP20

- Power: 35W
- Luminous Flux: 3011lm
- Luminous Efficacy: 86lm/w
- Color Temperature: 5000K
- CRI: ≥80
- Beam Angle: 70°
- Material: Aluminum
- Power Supply: Built-in
- Input Voltage: AC100-240V,50/60Hz
- Power Factor: ≥0.9
- Weight: 3.1kg
- Operation Temperature: -20°C ~ +40°C
- Design Lifespan: ≥60000hrs



**Illuminance Distribution**



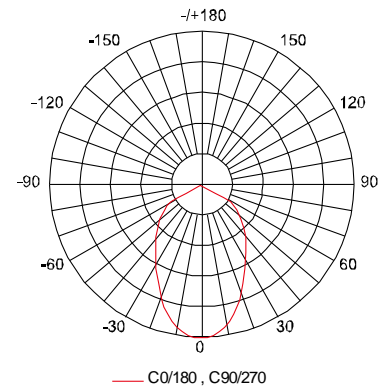
**LED High Bay Light**



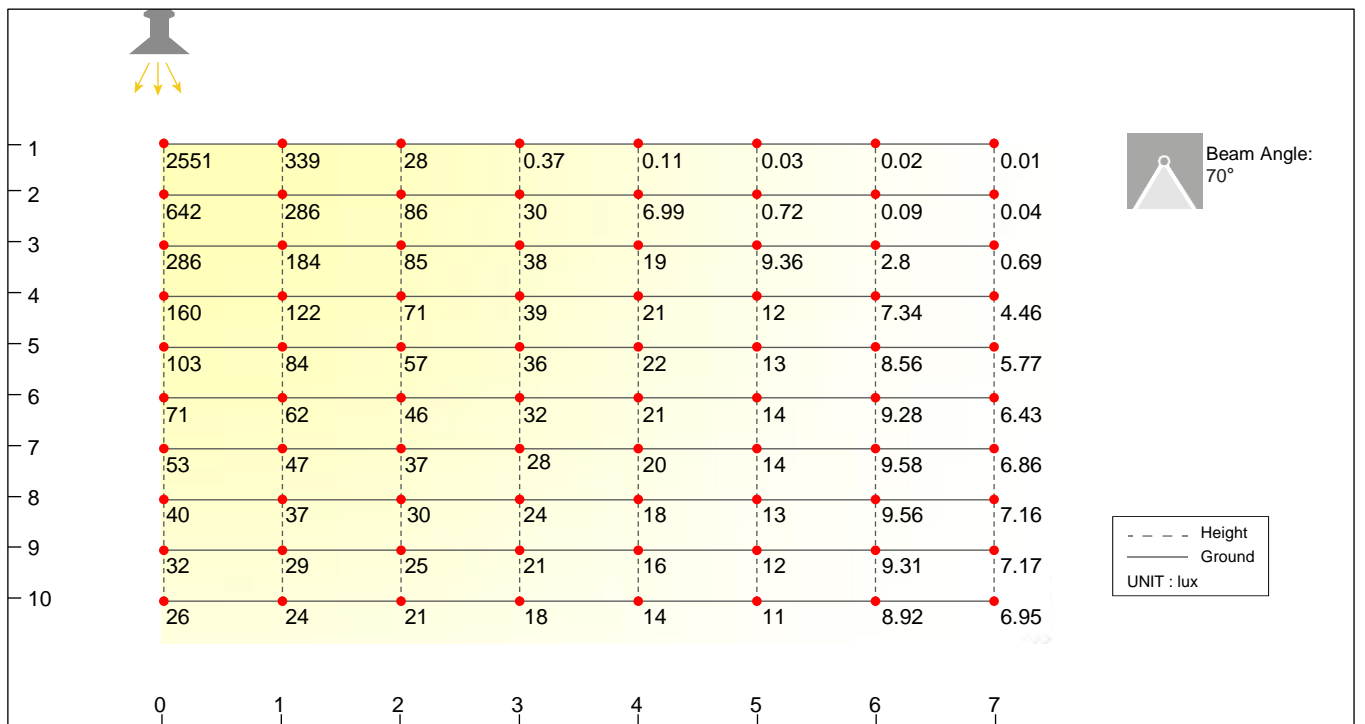
**HB-B-2045**

CE CCC RoSH IP20

- Power: 45W
- Luminous Flux: 3770lm
- Luminous Efficacy: 84lm/w
- Color Temperature: 5000K
- CRI: ≥80
- Beam Angle: 70°
- Material: Aluminum
- Power Supply: Built-in
- Input Voltage: AC100-240V,50/60Hz
- Power Factor: ≥0.9
- Weight: 3.95kg
- Operation Temperature: -20°C ~ +40°C
- Design Lifespan: ≥60000hrs



**Illuminance Distribution**



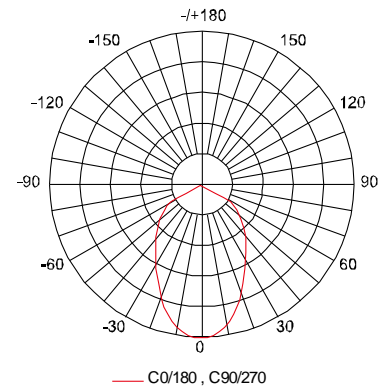
**LED High Bay Light**



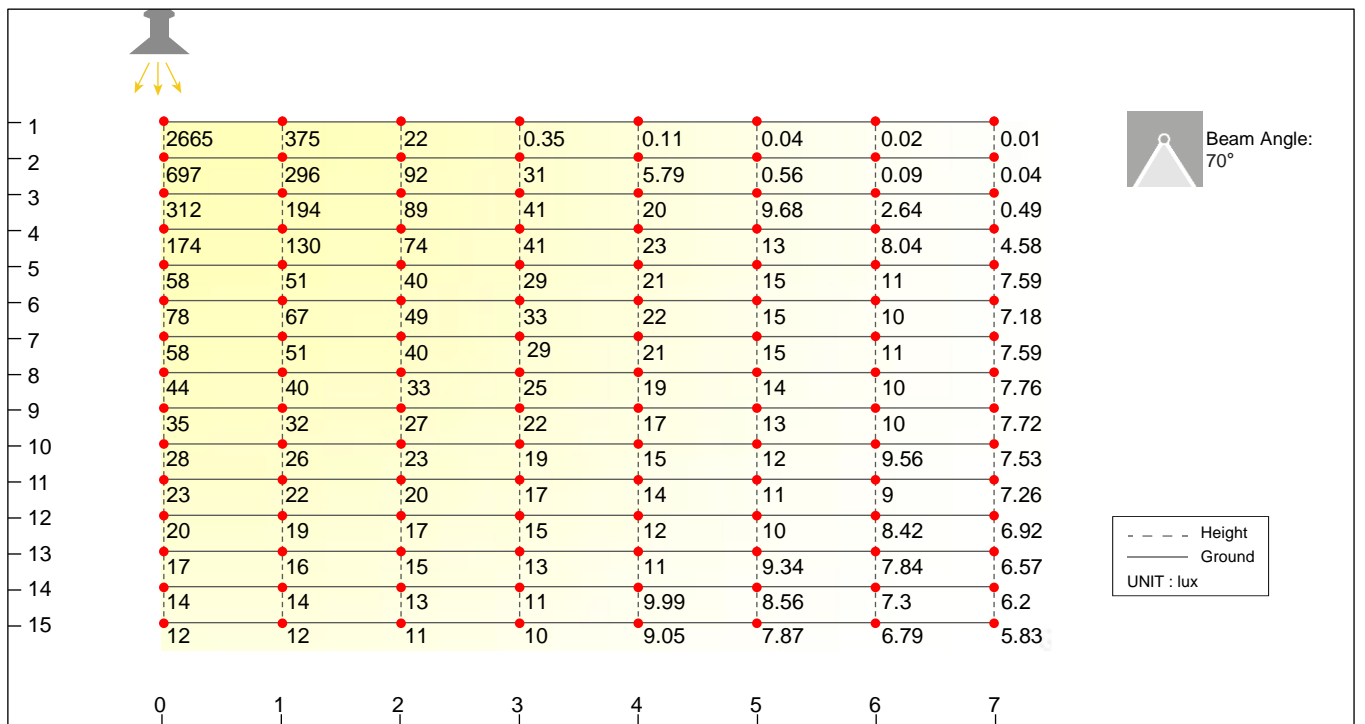
**HB-B-2065**

CE CCC RoSH IP20

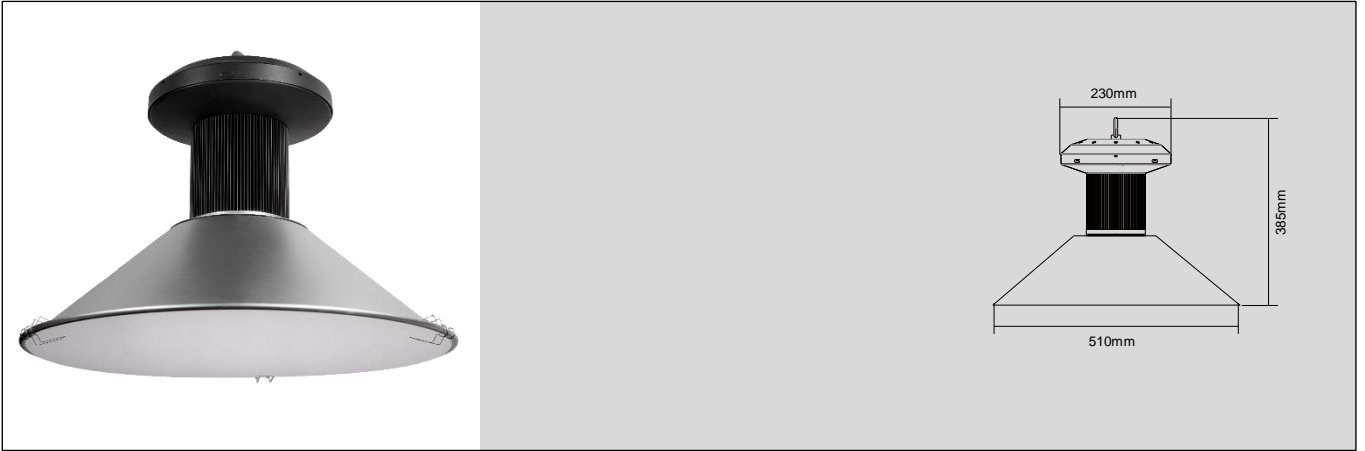
- Power: 65W
- Luminous Flux: 5311lm
- Luminous Efficacy: 82lm/w
- Color Temperature: 5000K
- CRI: ≥80
- Beam Angle: 70°
- Material: Aluminum
- Power Supply: Built-in
- Input Voltage: AC100-240V,50/60Hz
- Power Factor: ≥0.9
- Weight: 3.95kg
- Operation Temperature: -20°C ~ +40°C
- Design Lifespan: ≥60000hrs



**Illuminance Distribution**



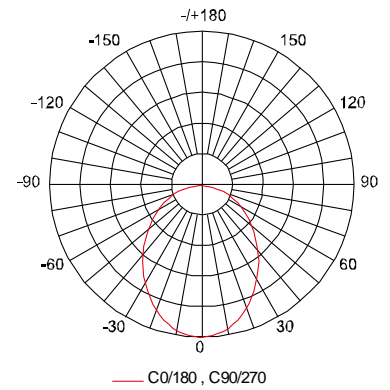
**LED High Bay Light**



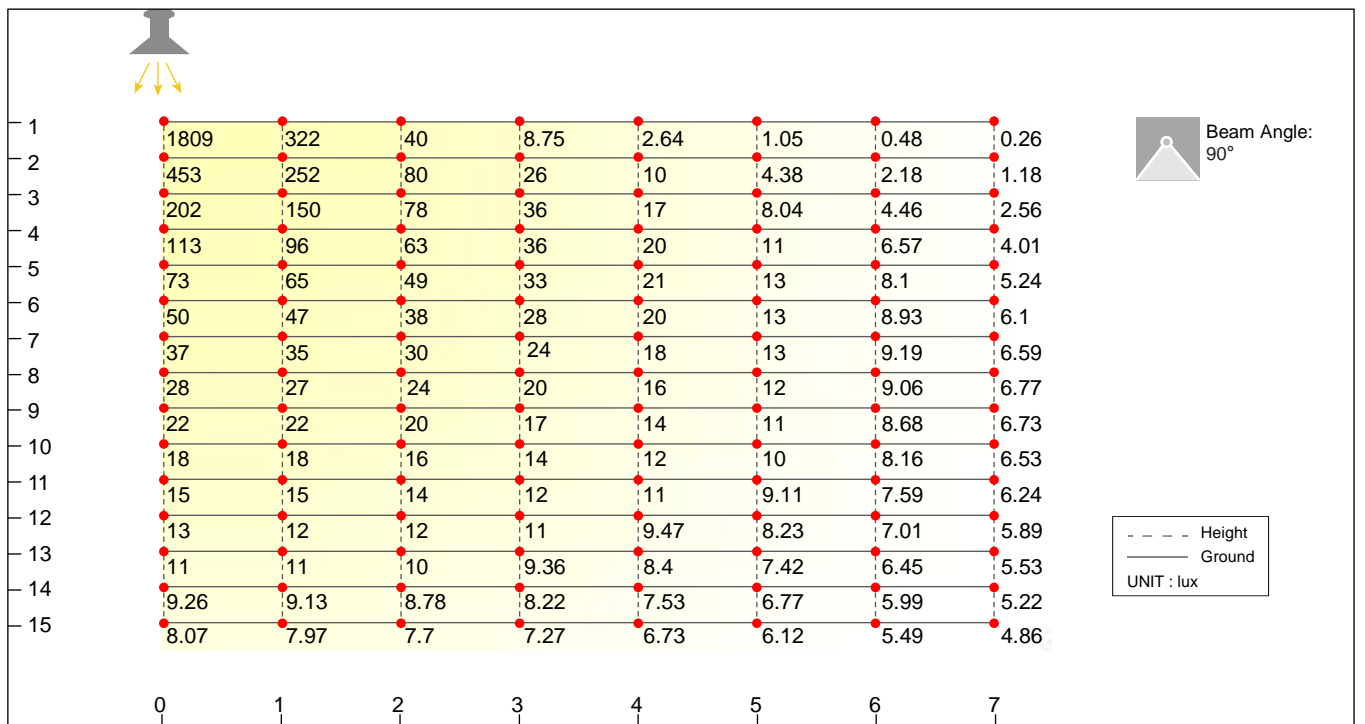
**HB-BD-2065(with diffuser)**

CE CCC RoSH IP20

- Power: 64W
- Luminous Flux: 4325lm
- Luminous Efficacy: 66lm/w
- Color Temperature: 5000K
- CRI: ≥80
- Beam Angle: 90°
- Material: Aluminum
- Power Supply: Built-in
- Input Voltage: AC100-240V,50/60Hz
- Power Factor: ≥0.9
- Weight: 4.45kg
- Operation Temperature: -20°C ~ +40°C
- Design Lifespan: ≥60000hrs



**Illuminance Distribution**



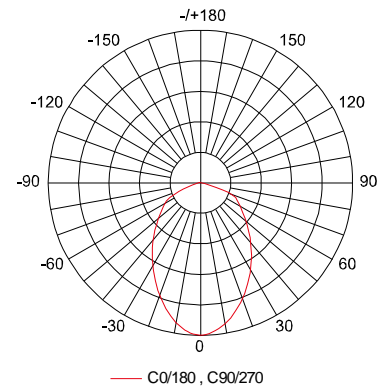
**LED High Bay Light**



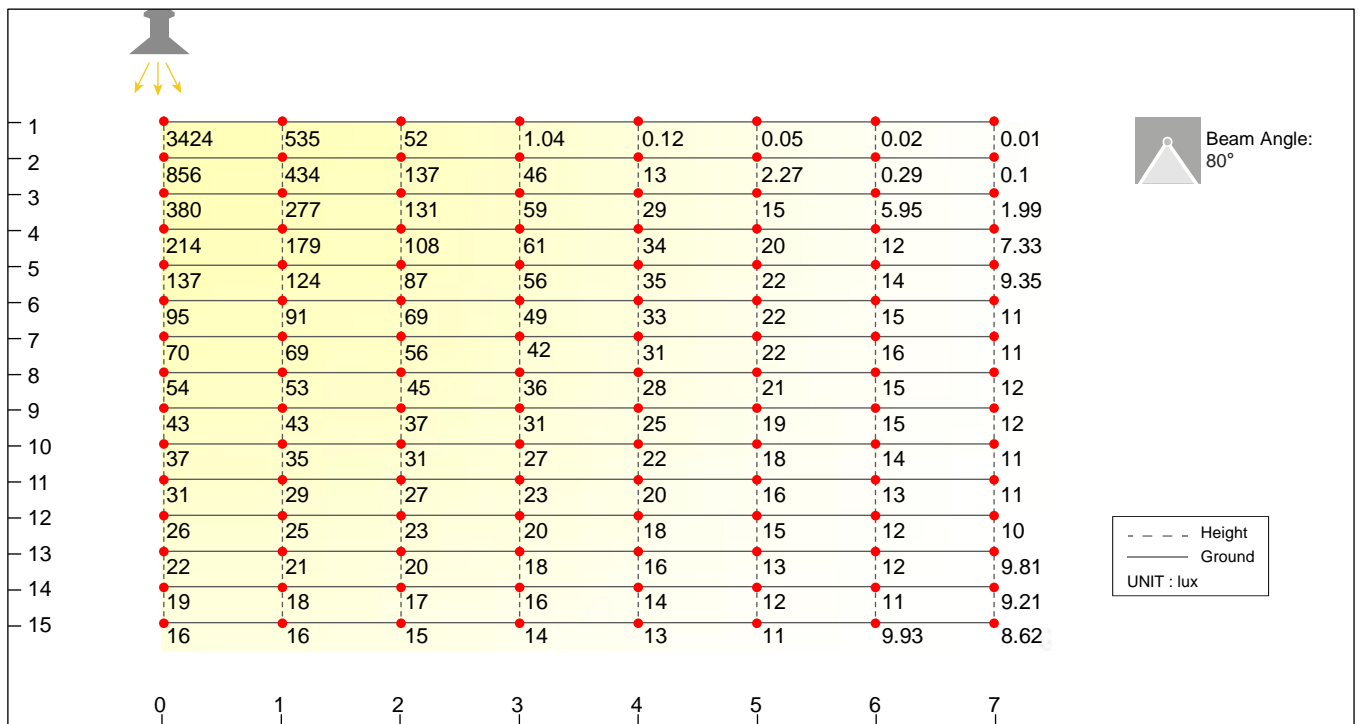
**HB-B-2085**

CE CCC RoSH IP20

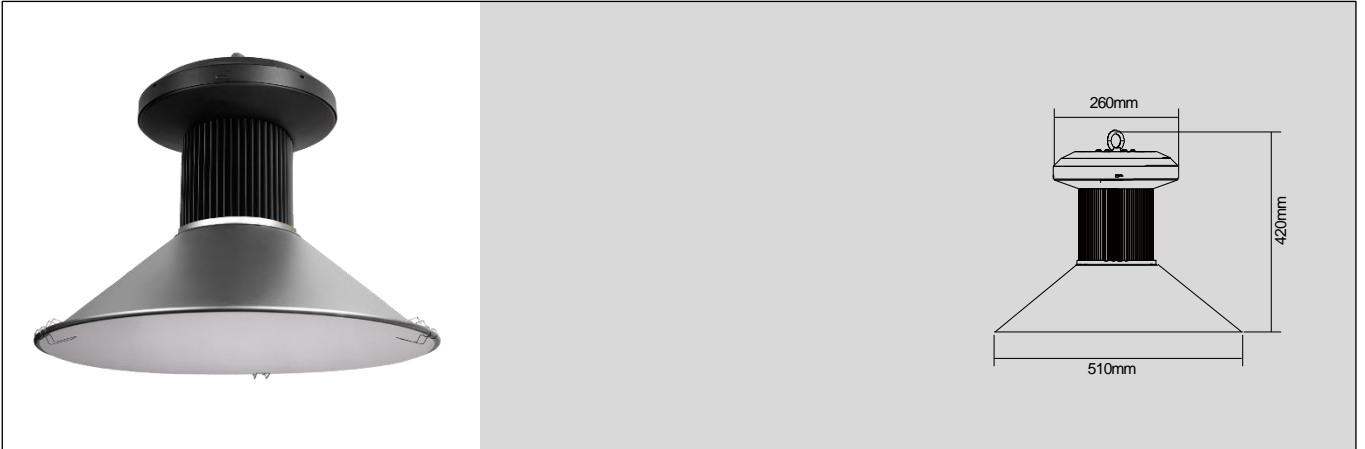
- Power: 85W
- Luminous Flux: 7410lm
- Luminous Efficacy: 87lm/w
- Color Temperature: 5000K
- CRI: ≥80
- Beam Angle: 80°
- Material: Aluminum
- Power Supply: Built-in
- Input Voltage: AC100-240V,50/60Hz
- Power Factor: ≥0.9
- Weight: 5kg
- Operation Temperature: -20°C ~ +40°C
- Design Lifespan: ≥60000hrs



**Illuminance Distribution**



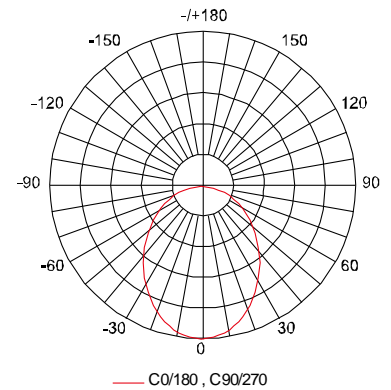
**LED High Bay Light**



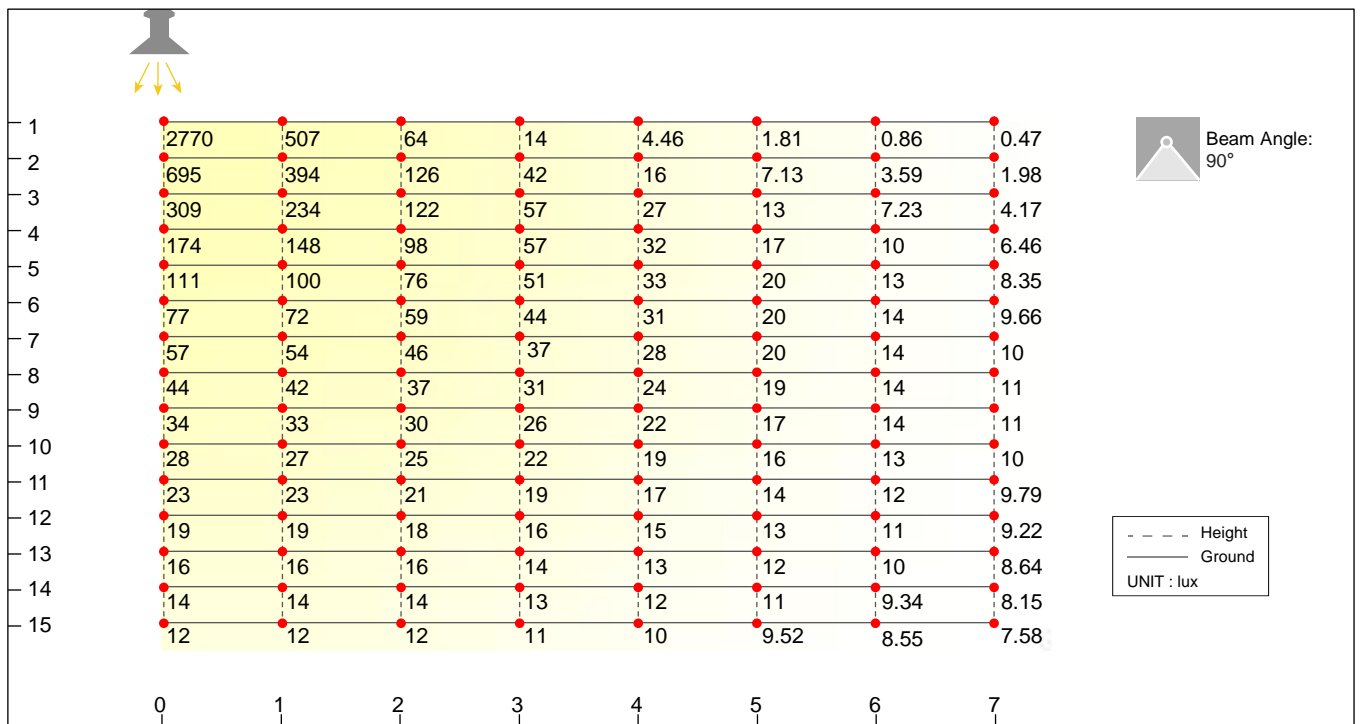
**HB-BD-2085(with diffuser)**

CE CCC RoSH IP20

- Power: 85W
- Luminous Flux: 6587lm
- Luminous Efficacy: 77lm/w
- Color Temperature: 5000K
- CRI: ≥80
- Beam Angle: 90°
- Material: Aluminum
- Power Supply: Built-in
- Input Voltage: AC100-240V,50/60Hz
- Power Factor: ≥0.9
- Weight: 5.5kg
- Operation Temperature: -20°C ~ +40°C
- Design Lifespan: ≥60000hrs



**Illuminance Distribution**





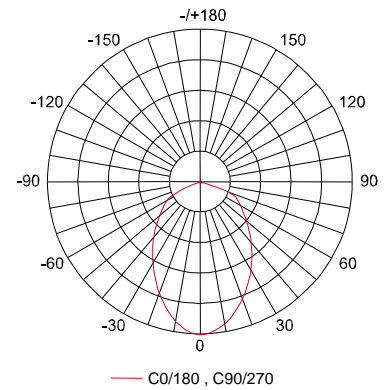
**LED High Bay Light**



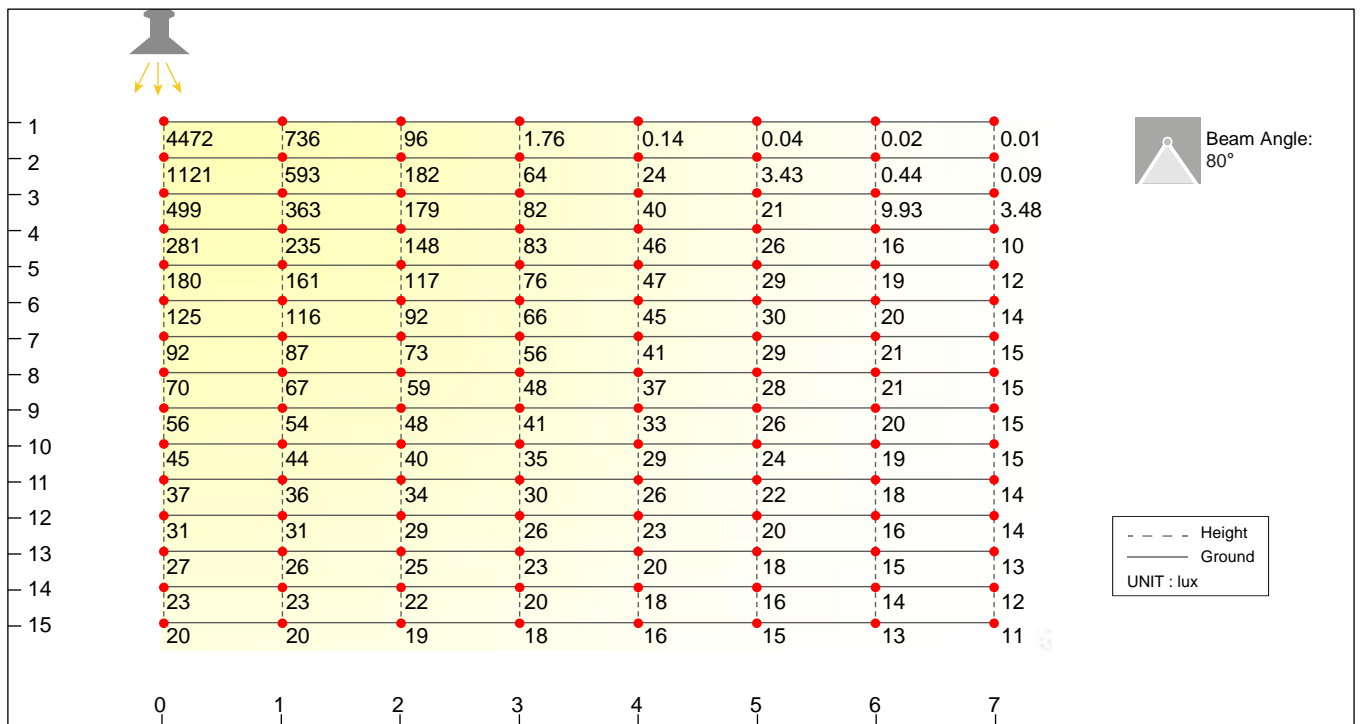
**HB-B-2100**

CE CCC RoSH IP20

- Power: 100W
- Luminous Flux: 8796lm
- Luminous Efficacy: 88lm/w
- Color Temperature: 5000K
- CRI: ≥80
- Beam Angle: 80°
- Material: Aluminum
- Power Supply: Built-in
- Input Voltage: AC100-240V,50/60Hz
- Power Factor: ≥0.9
- Weight: 5kg
- Operation Temperature: -20°C ~ +40°C
- Design Lifespan: ≥60000hrs



**Illuminance Distribution**



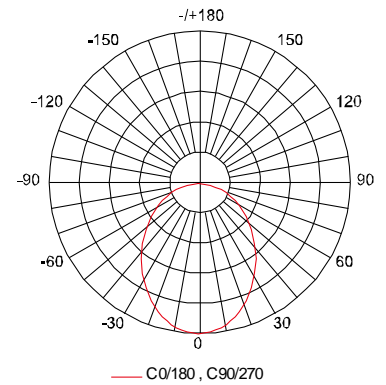
**LED High Bay Light**



**HB-BD-2100(with diffuser)**

CE CCC RoSH IP20

- Power: 100W
- Luminous Flux: 7680lm
- Luminous Efficacy: 77lm/w
- Color Temperature: 5000K
- CRI: ≥80
- Beam Angle: 90°
- Material: Aluminum
- Power Supply: Built-in
- Input Voltage: AC100-240V,50/60Hz
- Power Factor: ≥0.9
- Weight: 5.5kg
- Operation Temperature: -20°C ~ +40°C
- Design Lifespan: ≥60000hrs



**Illuminance Distribution**

